

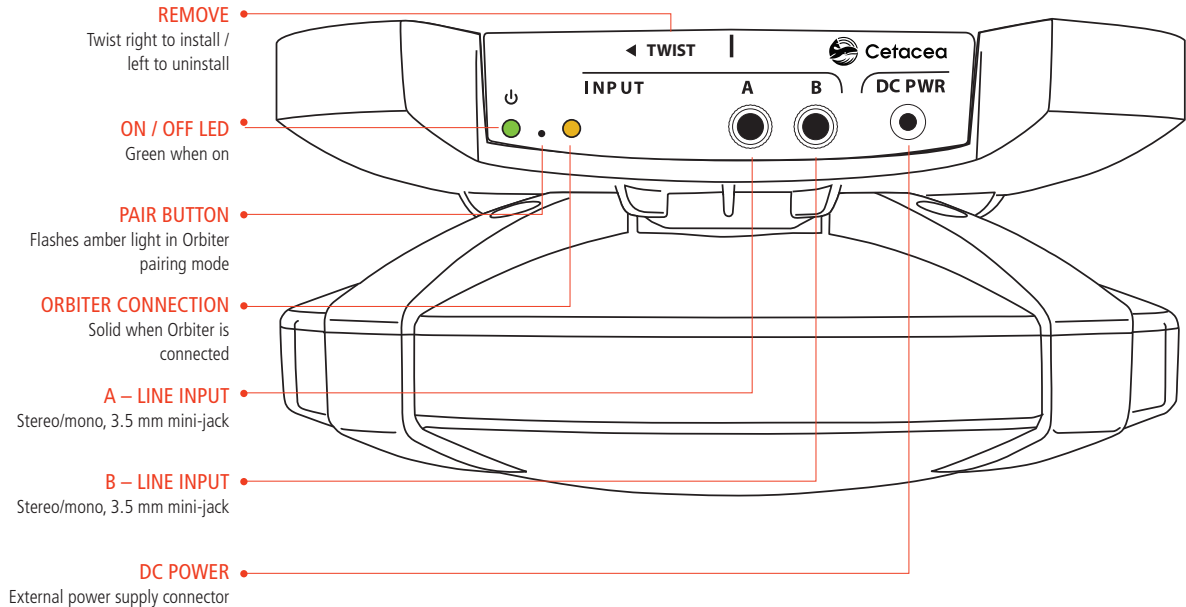
Astronaut Soundfield

Quick Start Guide



Cetacea

Astronaut Soundfield Speaker

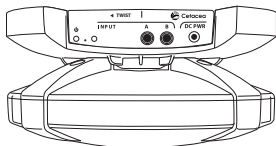


READ BEFORE INSTALLING

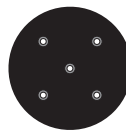
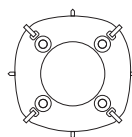
For in-depth safety, installation, and operational procedures, read or download the Astronaut SF Owner's Manual at www.cetaceasound.com.

ASTRONAUT SF SYSTEM CONTENTS

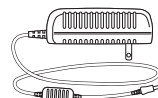
Astronaut SF Speaker



Ceiling Mount Kit



Power Supply

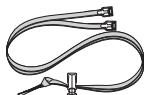


NOTE: Power supply style will vary depending on the system number you ordered.

Orbiter Transmitter



Lanyard Kit

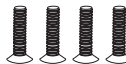


Mounting Bracket



Eye Bolt

Ceiling Plate



Aluminum Bolts (4)

Transmitter Charger



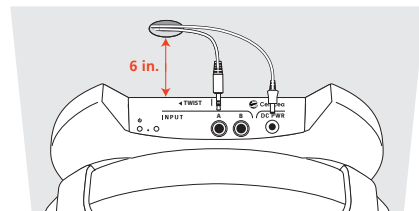
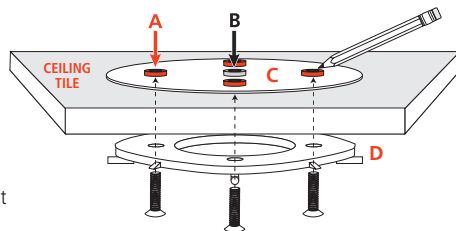
INSTALL THE CEILING BRACKET

Recommended Tools

- Phillips head screwdriver
- Hand drill with $\frac{1}{4}$ " and $\frac{1}{2}$ " bits
- Measuring tape

FOR INSTALLATION TO FALSE CEILINGS

1. Remove a ceiling tile and set it on a firm surface.
2. Use the ceiling plate as a guide to mark 5 holes **A** & **B**.
3. Drill or tap $\frac{1}{4}$ " holes for the 4 aluminium bolts **A**. Drill the $\frac{1}{2}$ " center hole **B** for the security eye bolt (optional).
4. If cable will be routed above the ceiling, cut a 1" hole about 6" away from the front of the speaker (optional).
5. Fasten the ceiling plate **C** to the top and ceiling bracket **D** to the bottom of the tile using the provided 4 aluminium bolts.



NOTE: FOR HARD SURFACE CEILINGS

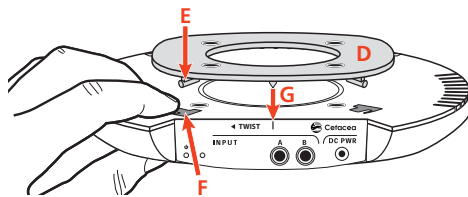
Ceiling plate **C** is not required for solid ceiling installations. Modification to the bracket **D** is required. Refer to the Owner's Manual at www.cetaceasound.com for instructions.

MOUNT THE ASTRONAUT SPEAKER

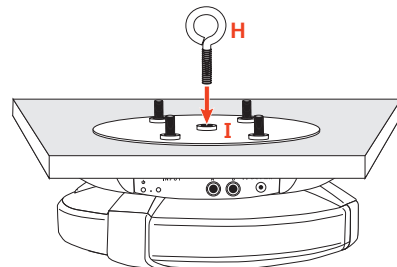
Speaker Location

The Astronaut SF is very forgiving and does not need to be in the center of the room for the best sound quality. Typically, installers choose a location near a power outlet in the ceiling.

CAUTION Install the Astronaut SF speaker away from direct heat, high humidity, and physical obstructions. Do not install the speaker near a projector exhaust port or fan.



1. Mount the Astronaut SF speaker to the ceiling bracket **D**. Use a finger to locate the first peg **E**. Align this peg with one of the four holes **F** on the speaker base. All other pegs will fall into place accordingly. Speaker will be flush to the ceiling.
2. Twist the speaker slightly to the right until you hear it lock. Once locked, the ceiling bracket pointer **G** will line up with the line-guide on the speaker lens.



3. Once the speaker is attached to the ceiling bracket, screw the eyebolt **H** through the top of the ceiling plate **I** and into the Astronaut base.

CONNECT POWER & AUDIO SOURCES

Volume Control

When using a variable output source like a projector, control the volume level at the source. When using a fixed audio output, adjust the volume with an in-line volume control or mixer (sold separately).

FIRST—CONNECT A/V EQUIPMENT

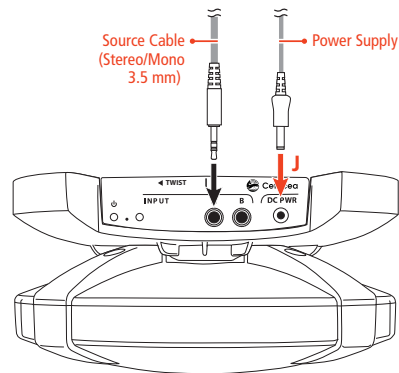
The Astronaut SF has a built-in 2-channel mixer that accepts up to 2 simultaneous devices (A, B).

Common Sources

| | | |
|--------------------|------------------------|-----------|
| Projector | Microphone | DVD / VHS |
| CD / iPod® / iPad® | Interactive Whiteboard | Computer |

SECOND—CONNECT POWER

Connect the power supply, low-power barrel connector **J** into the speaker. Plugging / unplugging this connector will turn the speaker on and off.



CAUTION Do not connect speaker to power until ceiling installation is completed and at least one source cable is connected.